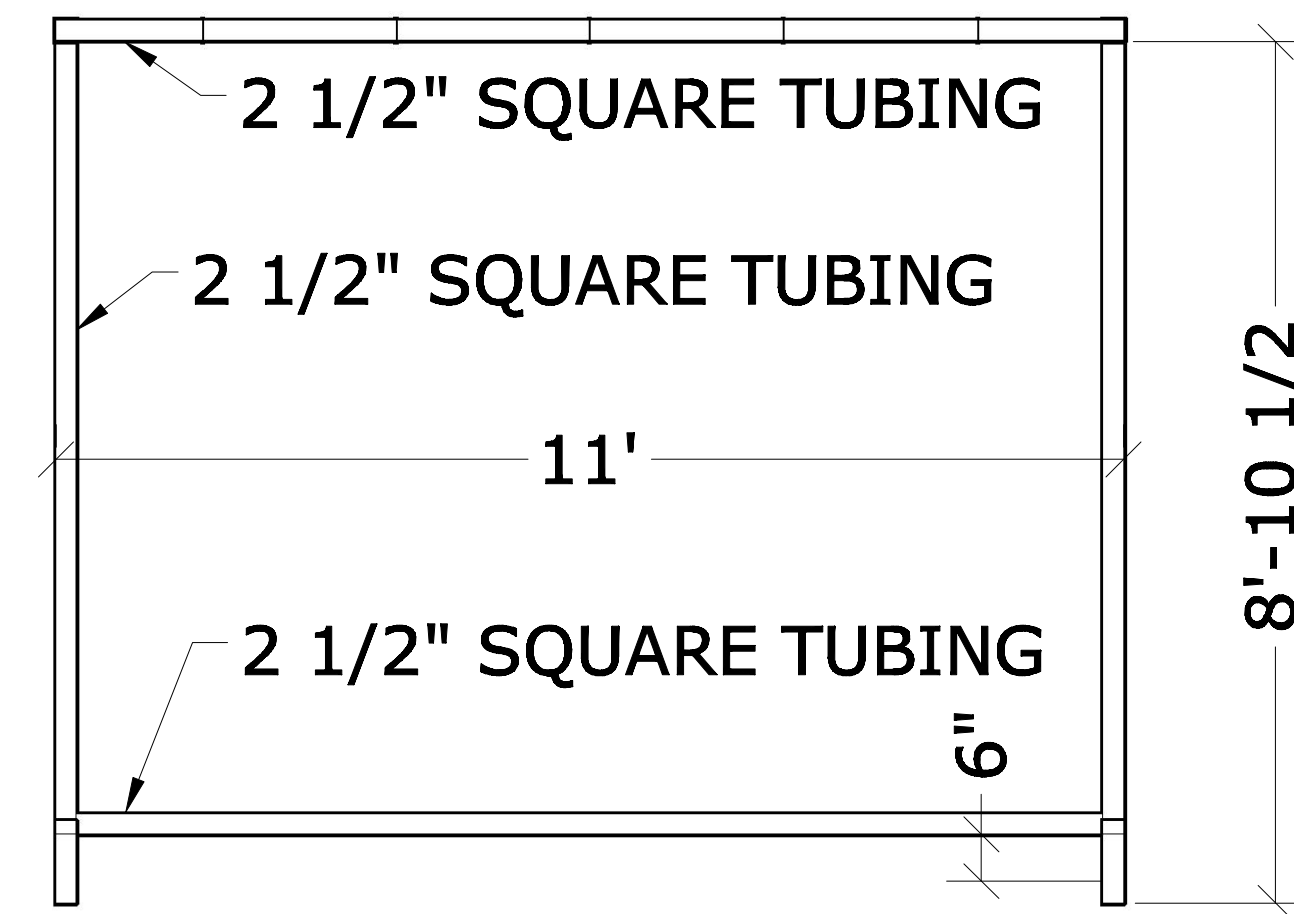


**SIDE VIEW**

SCALE: DO NOT SCALE

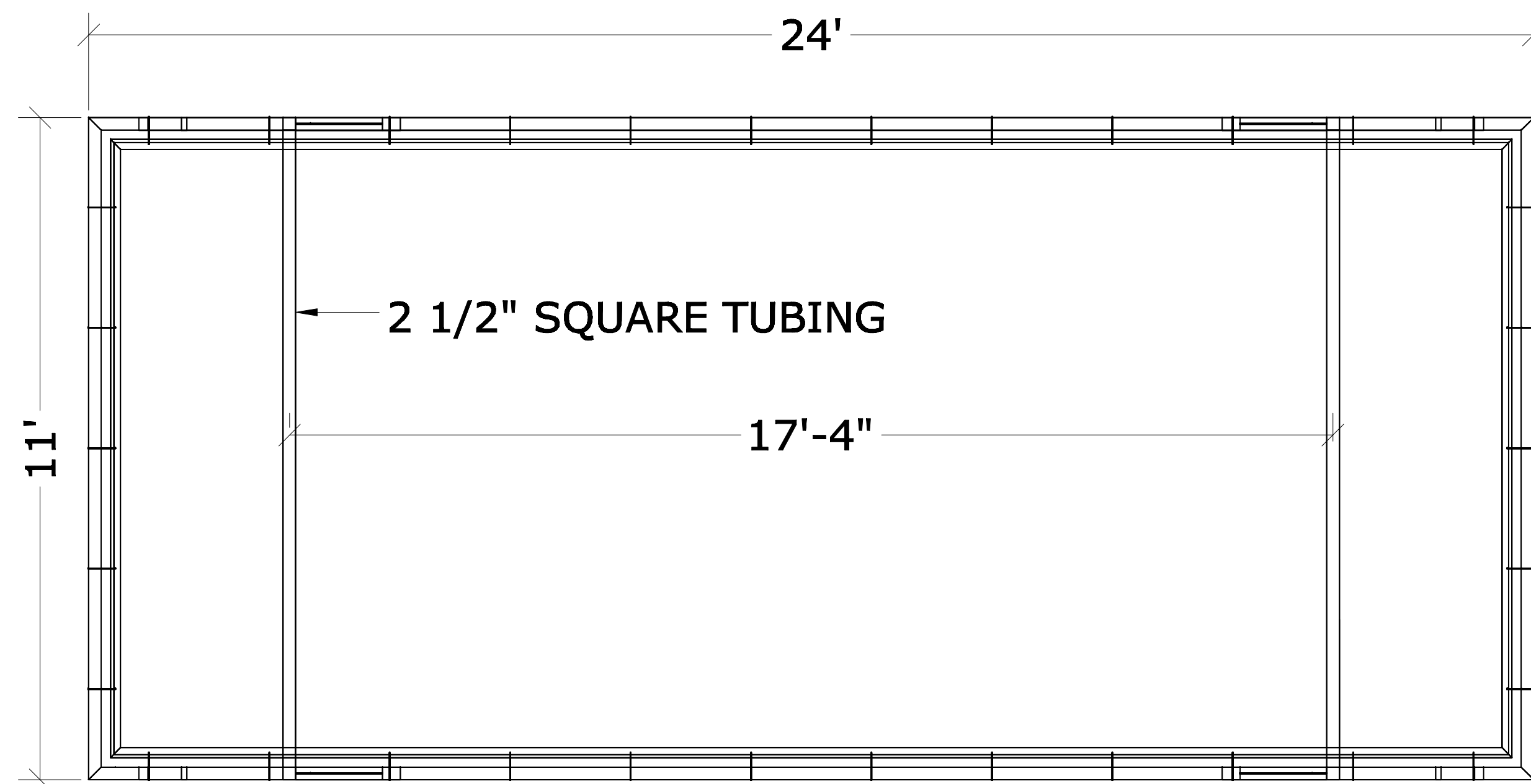
**NOTES:**

1. ALL FRAME MEMEBERS ARE SQUARE 2 1/2"X 2 1/2"X3/16" WALL STEEL TUBING
2. ATTACH A 10'X23' 80% SHADE CLOTH TO FRAME.



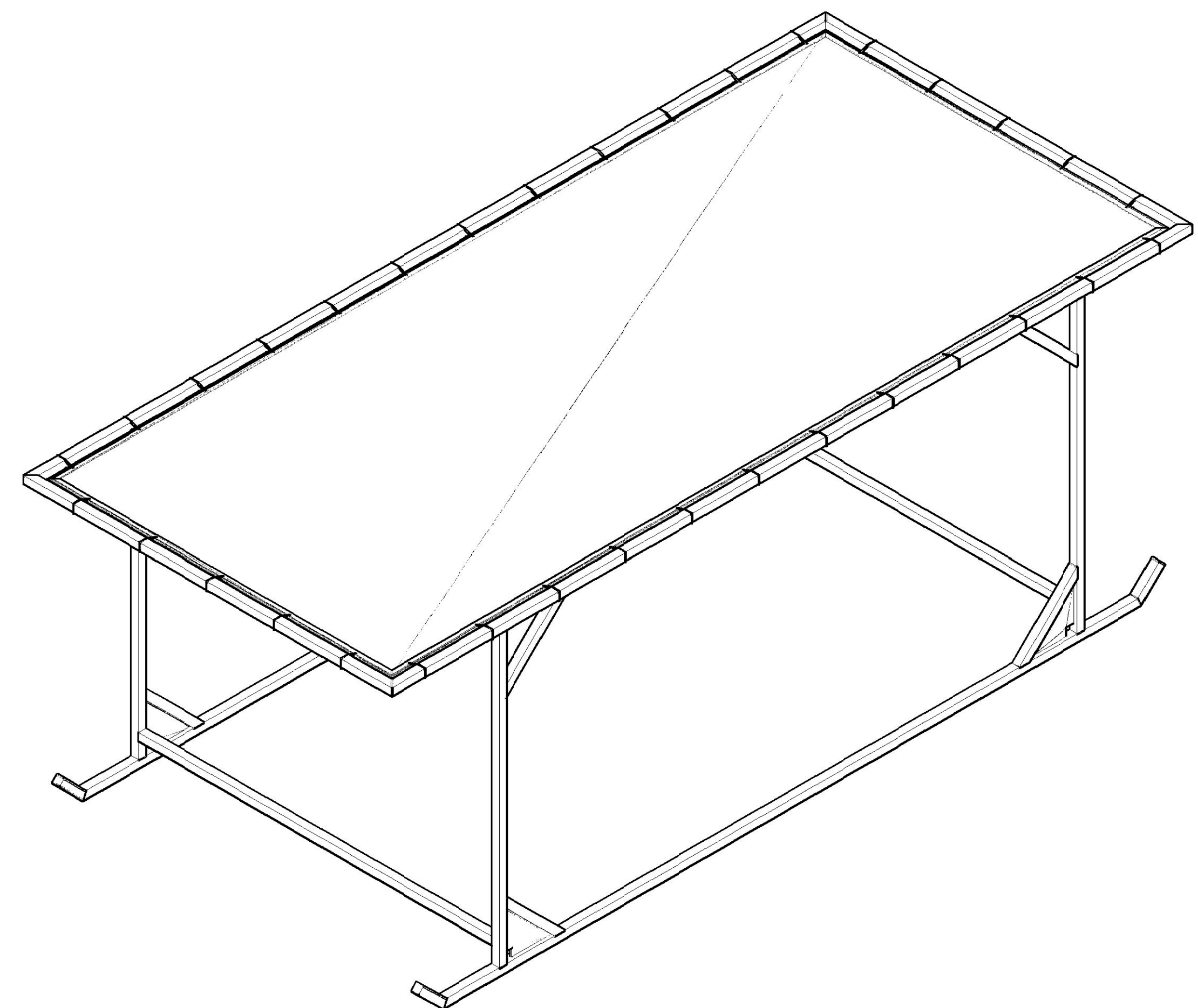
**FRONT VIEW**

SCALE: DO NOT SCALE



**PLAN VIEW**

SCALE: DO NOT SCALE



**PERSPECTIVE VIEW**